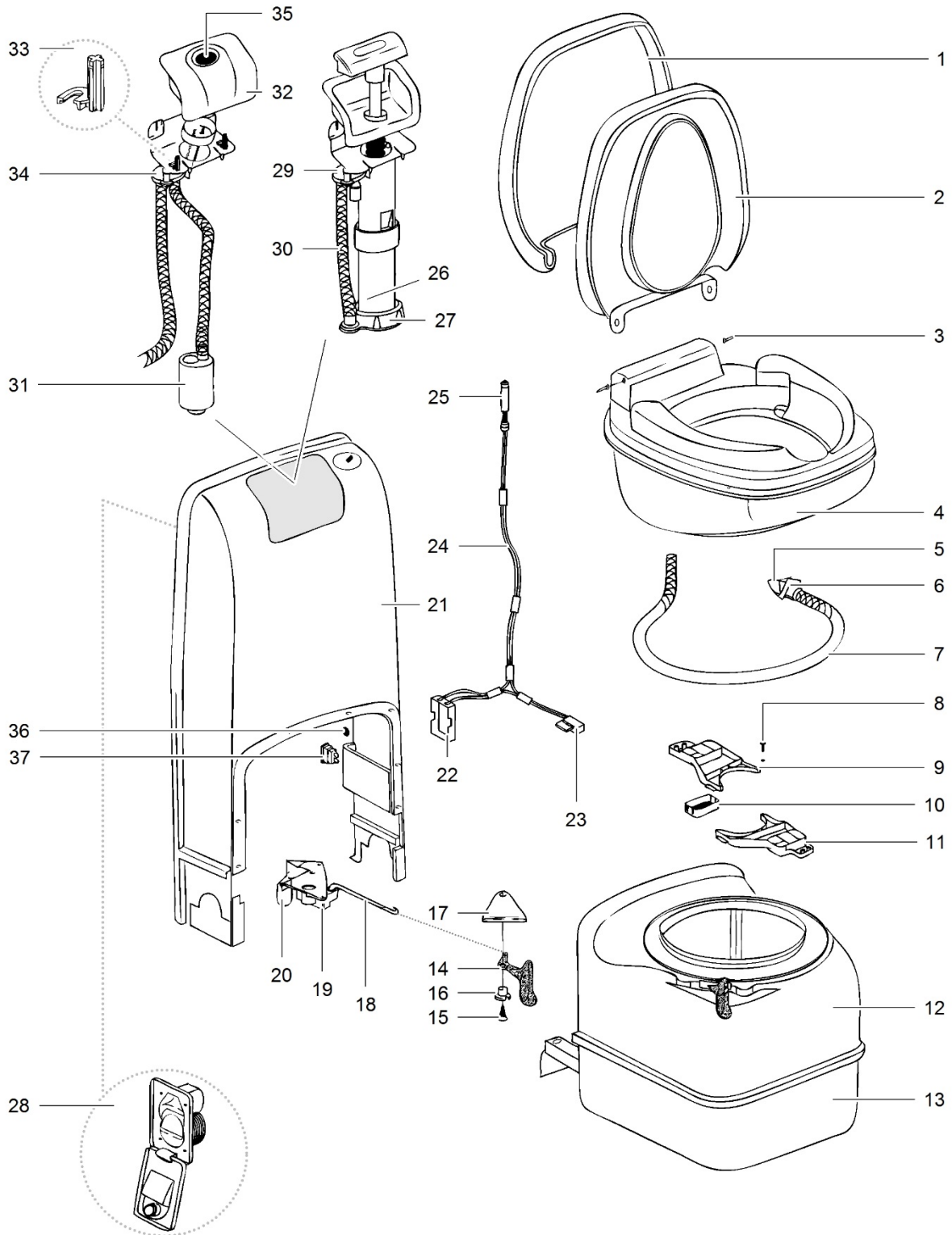


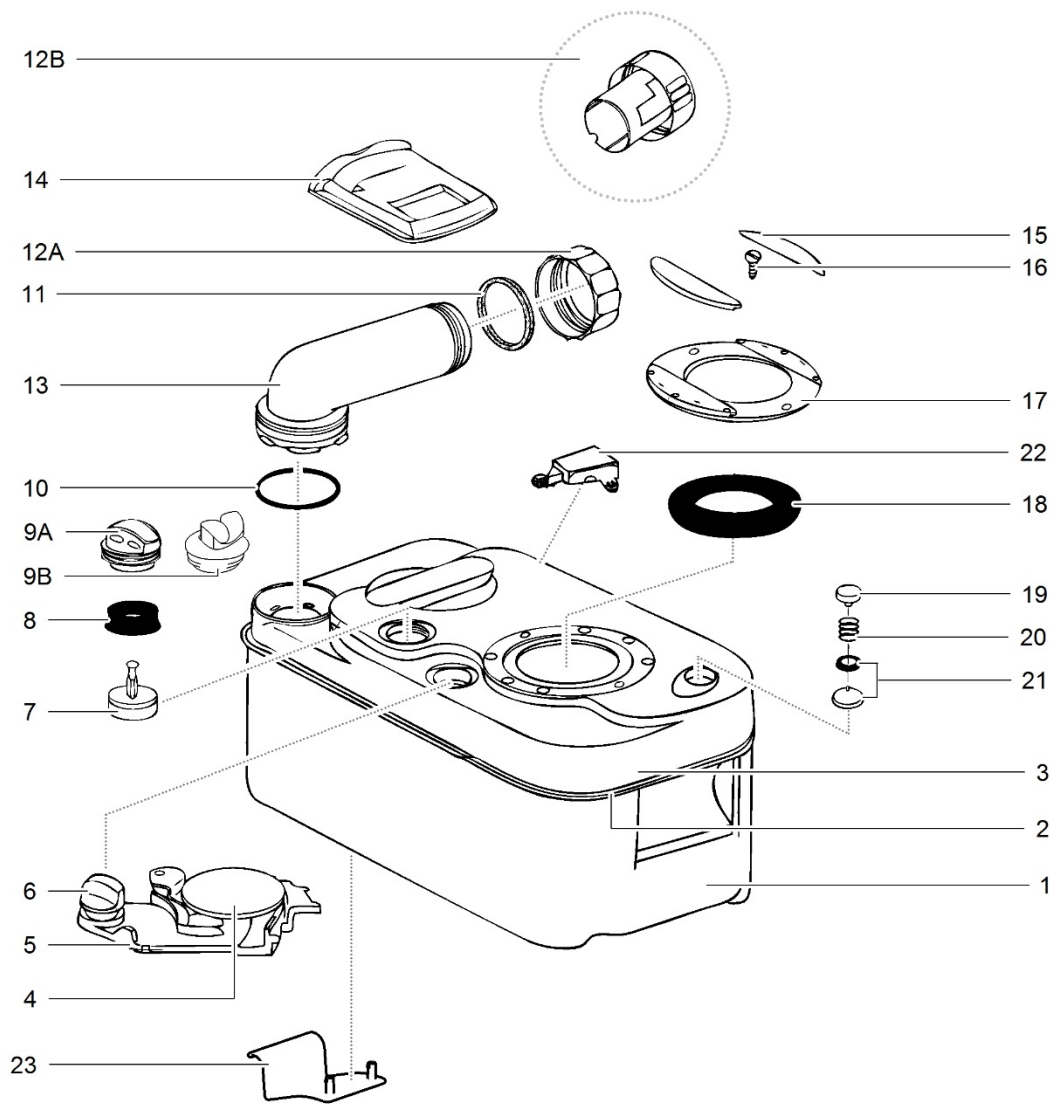
LE1158_C200-S-CS-Toilet_0414-V02

		Spare part number	Spare part number	Colours available
1	Cover			
2	Seat		23706	62
3	Hinge pin	23707		62
4	Bowl	23853		62
5	Vacuumbreaker	16833		
6	Electric valve			
7	Hose nut	23851	23709	
8	Hose barb			
9	O-ring			
10	Nozzle		23710	62
11	Watertube			
12	Watertube supply			
13	Waterfuse bracket			
14	Fuse	21766		
15	Reedswitch	23714		62
16	Screw			
17	Bowl retainer bracket			
18	Magnet basket			
19	Bowl retainer bracket			
20	Base upper			
21	Base lower			
22	Handle			
23	Screw		23713	74
24	Bushing			
25	Seal handle			
26	Link			
27	Saddle	23848	23850	
28	Saddle bracket		<i>for outside vent version</i>	
28	Saddle bracket outside vent			
29	Console			
30	Level indicator led	23718		
31	Switch panel			
32	Flush switch	23716	23846	62
33	Bezel			



LE1157_C200-CW/CWE_0115-V04

		Spare part number	Spare part number	Colours available
1	Cover			
2	Seat		23706	62
3	Hinge pin	23707		
4	Bowl	23853		62
5	O-ring			
6	Nozzle		23710	62
7	Watersupply tube			
8	Screw			
9	Bowl retainer bracket			
10	Magnet basket			
11	Bowl retainer bracket			
12	Base upper			
13	Base lower			
14	Handle			
15	Screw		23713	74
16	Bushing			
17	Seal handle			
18	Link			
19	Saddle		23848	
20	Saddle bracket			
	Saddle bracket outside vent	23850		
21	Console			
22	Battery container			
23	Reed switch	23714 <i>CWE model</i>	23738 <i>CW model</i>	62
24	Wiring harness			
25	Level indicator led			
26	Manual pump	23739		62
27	Pump retainer	23845		
28	Waterfill door	<i>refer to 'exterior P28'</i>		
29	Vacuum breaker	16833		
30	Water tube			
31	Pump	16374		
32	Bezel			
33	Adaptor bezel		23771	62
34	Vacuum breaker	16833		
35	Switch	23792		
36	Drain plug	23852		74
37	Fuse	21766		



LE1159_C200-Waste-holding Tank_1114-V03

		Spare part number	Spare part number	Spare part number	Colours available
1	Waste-holding tank lower				
2	Weld waste-holding tank				
3	Waste-holding tank upper				
4	Blade	23847			
5	Blade arm				
6	Blade opener	23743			78
7	Foam		23722		74
8	Seal automatic vent	21528			
9A	Upper automatic vent				
9B	Upper automatic vent outside vent			23788 <i>for outside vent version</i>	74
10	O-ring				
11	Cap seal	16195			
12	Dump cap		16384		
12A	Measuring cup		25810	16196	74, 78
13	Pour out spout				
14	Sliding cover	21333			74
15	Screw cover				
16	Screw				
17	Seal cover				
18	Lip seal	23721			
19	Vent button				
20	Spring		07524		78
21	Seal retainer				
22	Floatarm	23726			
23	Tank lock clip	23849			78
	Waste-holding tank complete <i>including sliding cover</i>		23719	23787 <i>for outside vent version</i>	74